



IET10 Series

A transcendent choice for the Sigfox-based tracking

IET10RC1, IET10RC2, IET10RC3, IET10RC4

IET10RMO



SEONGJI INDUSTRIAL

Already All Ready

Seongji Industrial IoT Department has been leading the market of wireless network module business by demonstrating both advanced technology and quality.

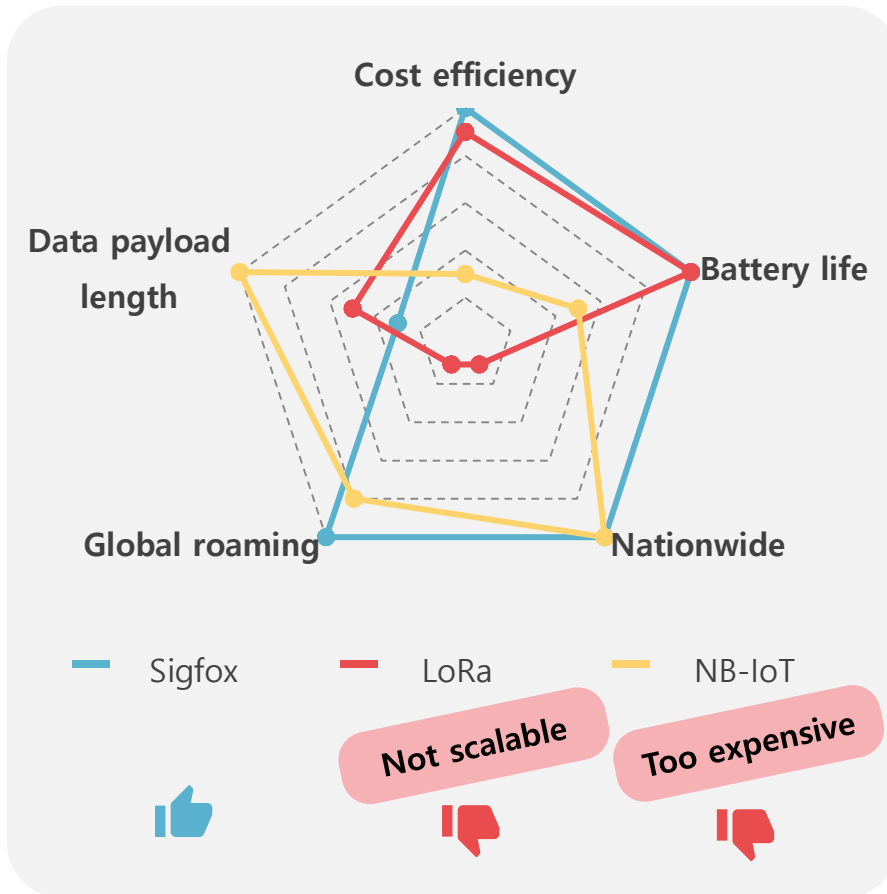
With a qualified experience of developing the wireless network module, we are successfully able to satisfy the customers, and we look forward to develop them for the best service.

Currently, we are expanding Sigfox modules and tracker device, which targeted for a global asset tracking.

We continuously operate for developing next-generation device and module.

Our vision will move forward for the strong growth and solid value with you.

Benefit of Sigfox for Tracker



Cost effective

Sigfox solution is cost effective to device and network fee compare to other solutions.

Long battery life

Simplifying communication makes Sigfox to be unbeatable low energy consumption. Life time of the IET10 is 10 years, if it transmits messages twice per a day.

Nationwide and global roaming

Sigfox supports nationwide network and global roaming to track asset internationally. IET10RCx works on specific Sigfox RC regions and IET10MO works on every Sigfox RC regions as well as supporting global roaming service by Monarch.

Data payload length

Sigfox uplink payload is limited to 12 bytes and the downlink is 8 bytes. However, it's sufficient to send information of location for tracking.

Key features for tracker



Network-based geolocation

Network-based geographic location is provided by network services. Less on additional hardware, cost efficiency and low energy consumption, but it has less accuracy and depends on base-station density.

GPS

Satellite-based geolocation. High precise(down to 15m) works almost everywhere on the planet but it is not efficient for indoors and has high battery consumption.

Wi-Fi

It could provide location information by connecting Wi-Fi location service platform. It works both indoor and outdoor with a high density in urban areas.

BLE

Indoor location by using BLE beacon, tracker can be a beacon device or reader. Low power consumption, cost effective but beacon readers should be installed.

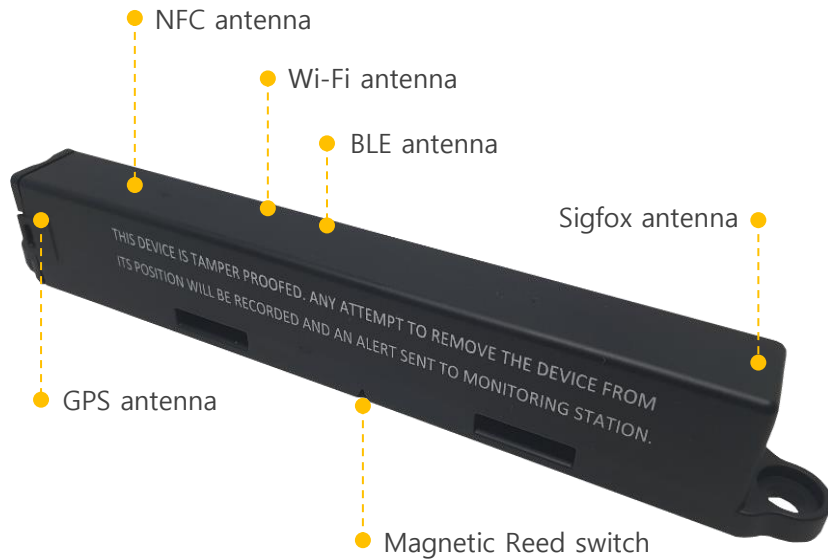
Accelerometer

Motion detection from accelerometer can be used to energy saving algorithm as well as motion alarm.

IET10 Sigfox tracker

IET10RC1, IET10RC2, IET10RC3, IET10RC4
IET10RMO

KEY FEATURES

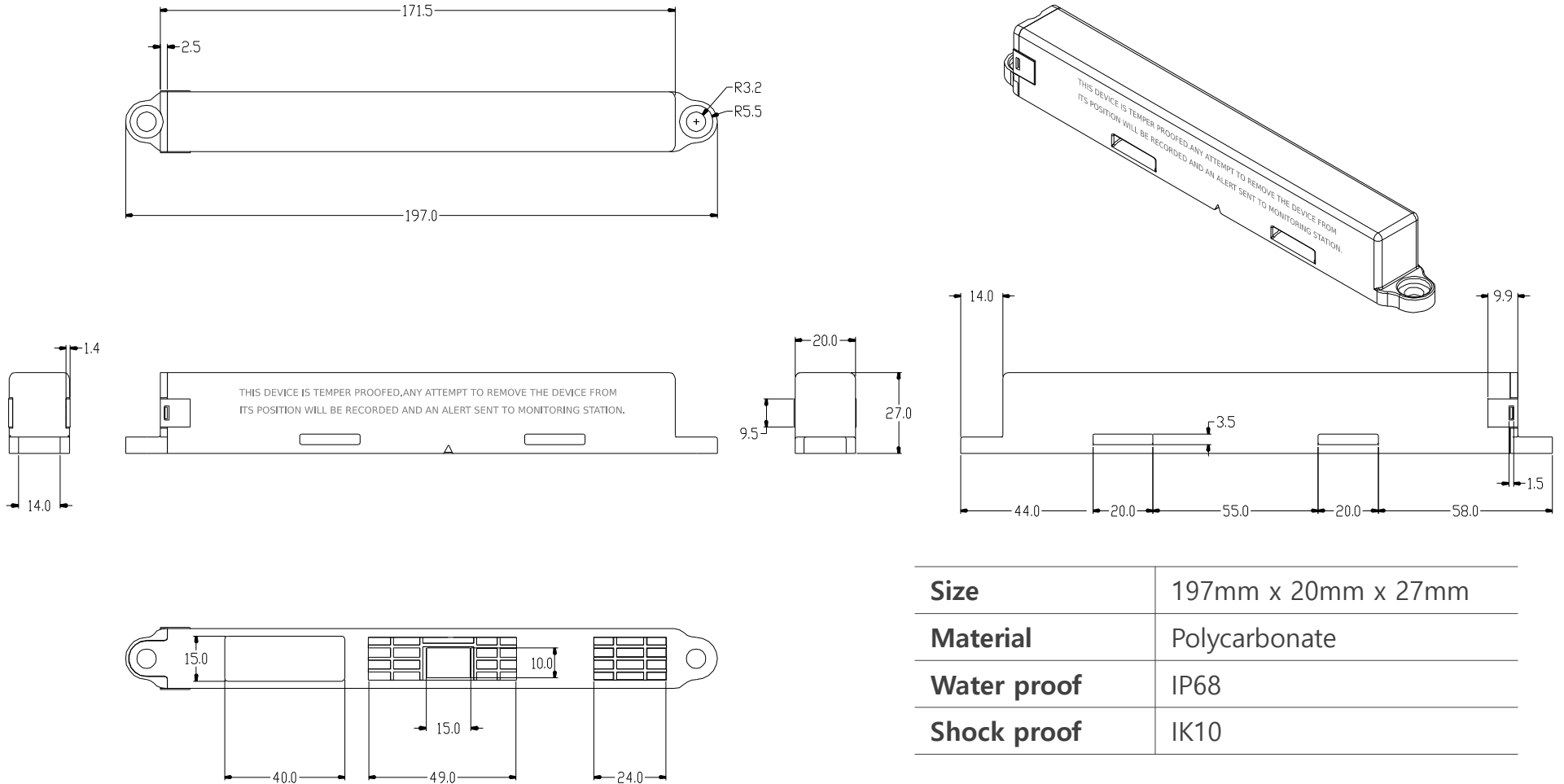


	IET10RCx	IET10MO
Size	197mm x 20mm x 27mm	
Enclosure	Polycarbonate	
Battery	Li-SOCI2, 5400mAh, 3.6V	
Battery replaceable	Fixed	Replaceable
Operation temperature	-30 ~ +85°C	
Water proof	IP68	
Shock proof	IK10	
Wireless for location	GPS, Wi-Fi, BLE, Sigfox	
Phone connectivity	BLE 5.0 support, BLE FOTA	
Sigfox RC	RC1,2,3,4	All
Sigfox Monarch	None	Support
Host CPU	Cortex M4F, 512kB Flash / 64kB RAM	
NFC	Tag-A	
Sensors	3-axes accelerometer, Magnet reed switch, Temperature(optional)	
Current consumption	Standby 18uA, Sleep 3uA	
Life time	10 years @ 2 message per a day	

IET10 Sigfox tracker

IET10RC1, IET10RC2, IET10RC3, IET10RC4
IET10RMO

MECHANICAL ENCLOSURE



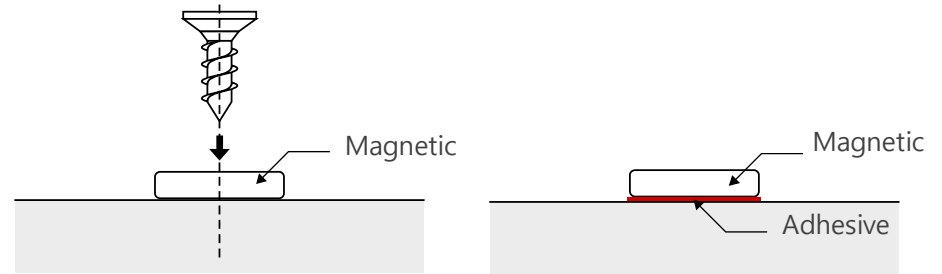
Size	197mm x 20mm x 27mm
Material	Polycarbonate
Water proof	IP68
Shock proof	IK10

IET10 Sigfox tracker

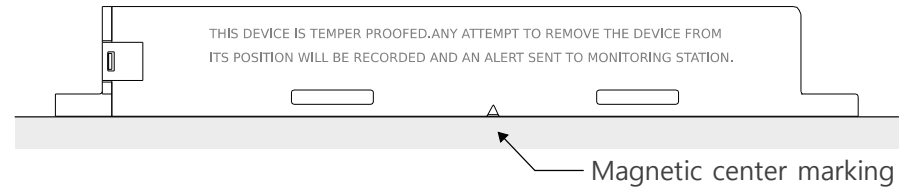
IET10RC1, IET10RC2, IET10RC3, IET10RC4
IET10RMO

Device installation

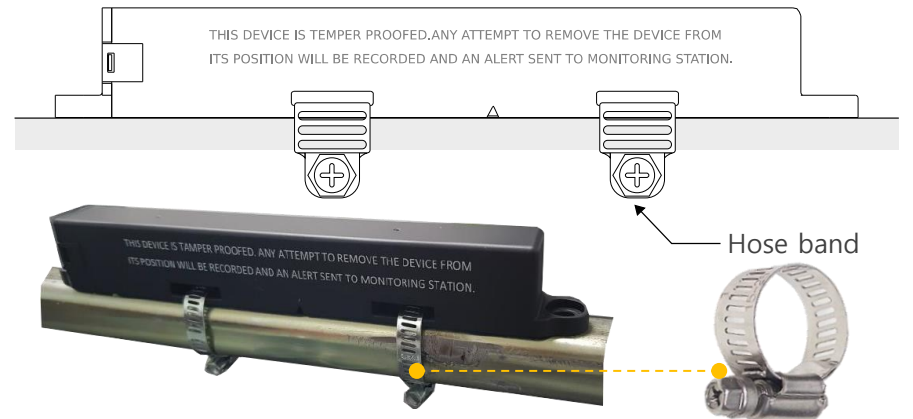
- 1 Attach the magnet**
Attach the magnet on an asset using screw or adhesive



- 2 Put IET10 on an asset**



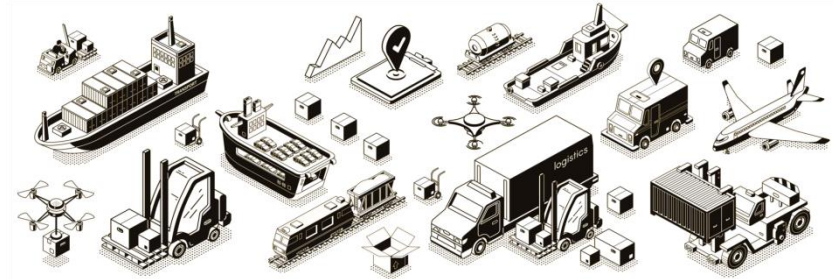
- 3 Attach IET10 to asset**
Attach IET10 to asset through screw or horse band



Applications

IET10RC1, IET10RC2, IET10RC3, IET10RC4
IET10RMO

Asset, Logistic tracking
and management



Container cage



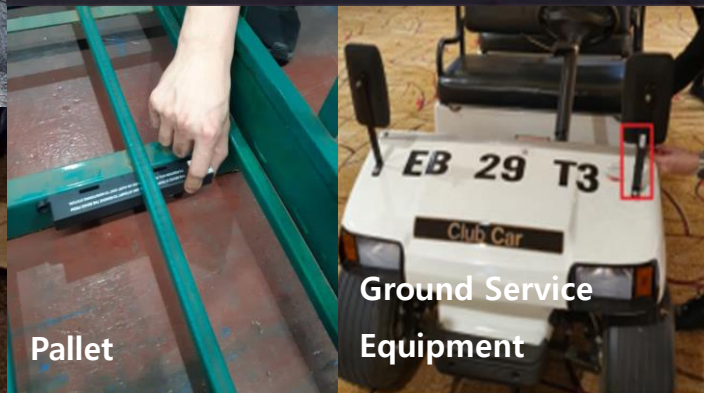
Dollies in airport



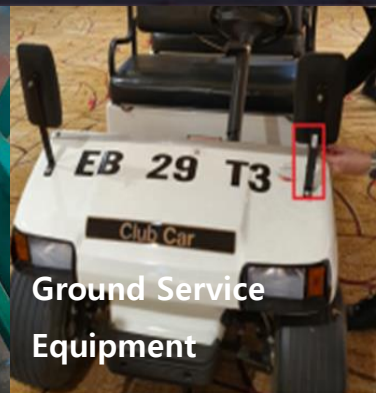
Global logistic



Trolley



Pallet



Ground Service
Equipment



Container of recyclable material

SEONGJI INDUSTRIAL

Marketing hs.lee@seongji.co.kr

Sales brown@seongji.co.kr

Development daesookim@seongji.co.kr

Home page <http://www.seongji.co.kr>

Support site <http://support.seongji.co.kr>